

ADJUSTABLE RELIEF VALVES

High Pressure adjustable relief valves are designed to protect against over pressure of gas and liquids.

These proportional relief valves are designed to open gradually as the pressure increases. They do not have a capacity rating at given pressure increases, and therefore these relief valves are not certified to ASME code requirements.

Specifications

- Set Pressure from 1,000 PSI to 20,000 PSI (69 to 1379 bar).
- Temperature Ratings: -40°F to 300°F (-40°C to 150°C).
- Inlet Connection - 1/4" FNPT (10RV) and 1/4" HPF (20RV) are standard. Other connections sizes and types are available by request.
- Outlet Connection - 1/4" Female NPT.

Features

- Field Adjustable.
- Suitable for Gas or Liquid.

Materials

- Body - 316SS stainless steel.
- Seat Gland/Outlet - 316 stainless steel.
- Stem - 17-4PH.
- Seal Materials - PTFE packing/EPDM.
- Soft Seat - Nylon.



Set Pressure Range	Orifice Size, in.	Inlet Connection	Outlet Connection	Part Number	Dimension, in. (mm)							Valve Dimensions
					A	B	C	D	E	F	G	
1,000 to 10,000 PSI	0.070	1/4" FNPT	1/4" FNPT	10RV4NF	5.22 (132.6)	1.56 (39.6)	1.06 (26.9)	1.50 (38.1)	0.56 (14.2)	1/4" FNPT	1.38 (35.1)	See Figure 1
10,001 - 20,000 PSI		1/4" HPF		20RV4HF	7.55 (191.8)	2.13 (54.1)	1.68 (42.7)	2.00 (50.8)	0.56 (14.2)	1/4" FNPT	1.63 (41.4)	

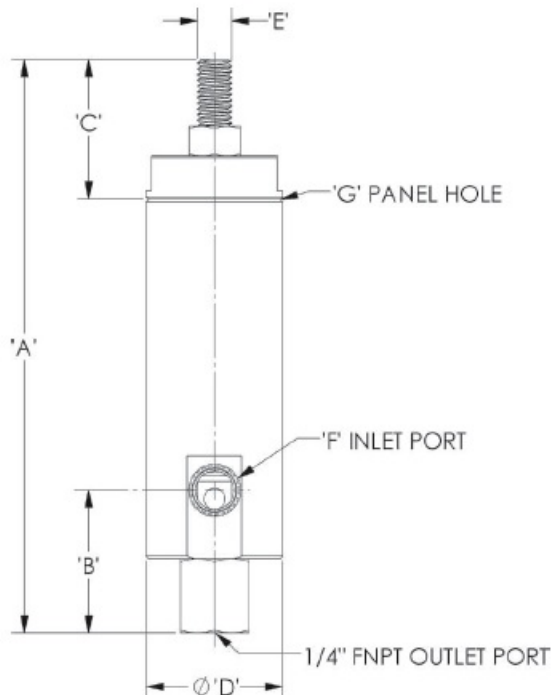


Figure 1