

CP101L

1-Pc STAINLESS STEEL
BALL VALVE

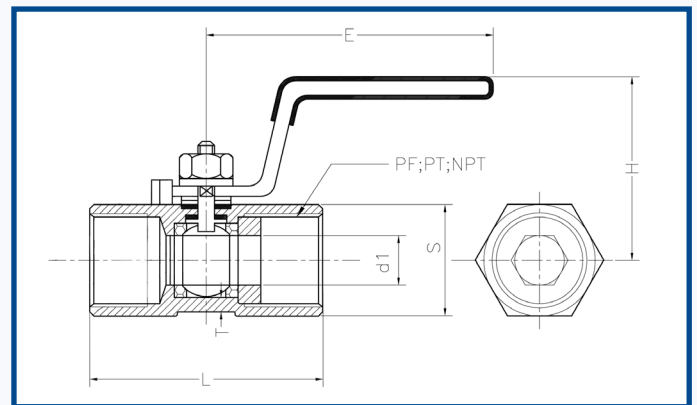
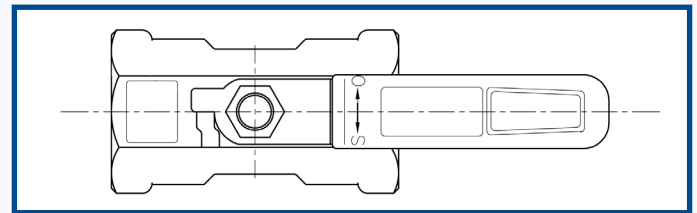
REDUCED FLOW

-20 °C to +180 °C

BSP



CP101L



MATERIALS

Ball:	Stainless Steel CF8M
Body:	Stainless Steel CF8M
Instert:	Stainless Steel CF8M
Handle:	Stainless Steel SS304
Seats:	PTFE
Stem Seal:	PTFE
Thrust Washer:	PTFE
Stem:	Stainless Steel SUS316

CONNECTIONS

BSP Parallel: ISO228 (Equivalent to DIN 259)

SIZE	1/4"	3/8"	1/2"	3/4"	1"	1 1/4"	1 1/2"	2"	2 1/2"	3"	4"	5"
d1 (mm)	5.0	7.2	9.2	12.5	15.0							
L (mm)	39.0	44.0	56.5	59.0	71.0							
H (mm)	30.5	31.0	47.0	50.5	52.0							
E (mm)	69.7	81.5	97.0	97.0	101.0							
S (mm)	17.0	21.0	25.0	32.0	38.0							
T (mm)	2.45	2.95	3.70	4.70	4.70							
Rating	PN63	PN63	PN63	PN63	PN63							
Weight (kg)	0.05	0.10	0.20	0.25	0.40							