





Best Pneumatics 4

Pressure Gauge Guide

General Purpose Pressure Gauge: G□	P.1.15-2
Oil Free/External Parts Copper Free Pressure Gauge: G46E	P.1.15-6
Pressure Gauge for Clean Regulator: G46-□-□-SR	P.1.15-6


Pressure Gauge Guide

General Purpose Pressure Gauge

	Size (O.D.)	Model (Type)	Indication precision %FS	Gauge range		Connecting thread	Material			Indication units ⁽¹⁾		Attachment ⁽²⁾	
				MPa	kgf/cm ²		Case	Clear cover	Stud	MPa	MPa & kgf/cm ²		
 <p>General purpose</p>	ø15	G15 (DTtype)	5	0 to 1.0	—	R(PT) 1/8 Male thread, M5 Female	Zinc die cast (Sun-coat treated)	Poly-carbonate	Zinc die cast (Sun-coat treated)	●	—	P.1.15-2	
	ø26	G27 (DTtype)		0 to 1.0	—	R(PT) 1/16 Male thread				—	●		
 <p>With limit indicator</p>	ø37	G36 (DTtype) GA36 (ATtype)	3	0 to 0.2 0 to 0.4 0 to 0.7 0 to 1.0 0 to 1.5	—	R(PT) 1/8	Rolled steel (Black melamine painted)	Poly-carbonate	Brass	—	●	—	P.1.15-3
 <p>With limit indicator</p>	ø42	G46 (DTtype)	3	0 to 0.2 0 to 0.4 0 to 0.7 0 to 1.0 0 to 1.5	0 to 1 0 to 4 0 to 7 0 to 10 0 to 15	R(PT) 1/8 R(PT) 1/4	Rolled steel (Black melamine painted)	Poly-carbonate	Brass	—	●	Cover ring ass'y	P.1.15-4
		GA46 (ATtype)		—									
	ø43	G43 (DTtype)	3	0 to 0.2 0 to 0.3 0 to 0.4 0 to 0.6 0 to 0.7 0 to 1.0	0 to 2 0 to 3 0 to 4 0 to 6 0 to 7 0 to 10	R(PT) 1/8 R(PT) 1/4	Stainless steel	Glass	Brass	—	●	—	P.1.15-5


Note 1) Consult SMC for psi and bar scale indication and connecting thread "NPT".
Note 2) Possible for use in a panel mounting.

Oil Free/External Parts Copper Free Pressure Gauge

	Size (O.D.)	Model (Type)	Indication precision %FS	Gauge range		Connecting thread	Material			Indication units ⁽¹⁾		Attachment ⁽²⁾	
				MPa			Case	Clear cover	Stud	MPa	MPa & kgf/cm ²		
 <p>With limit indicator</p>	ø42	G46E (DT type)	3	0 to 0.2 0 to 0.4 0 to 0.7 0 to 1.0		R(PT) 1/8 R(PT) 1/4	Rolled steel (Black melamine painted)	Poly-carbonate (Hard coated)	Brass Electroless nickel plated	—	●	Cover ring ass'y	P.1.15-6
							Oil free (Degreased)						

Note 1) Consult SMC for psi and bar scale indication and connecting thread "NPT".
Note 2) Possible for use in a panel mounting.

Pressure Gauge for Clean Regulator

	Size (O.D.)	Model (Type)	Indication precision %FS	Gauge range		Connecting thread	Material			Indication units ⁽¹⁾		Attachment ⁽²⁾	
				MPa			Case	Clear cover	Stud	MPa	MPa & kgf/cm ²		
 <p>With limit indicator</p>	ø42	G46-SR (DT type)	3	0 to 0.2 0 to 0.4 0 to 0.7 0 to 1.0		R(PT) 1/4	SUS 304 (Black melamine painted)	Poly-carbonate (Hard coated)	SUS 316	—	●	—	P.1.15-6
							Oil free/Water free ⁽²⁾						

Note 1) Consult SMC for psi and bar scale indication and connecting thread "NPT".
Note 2) Refer to the p.1.15-6 for further information.

General Purpose Pressure Gauge

G15 (DT type)/G27 (DT type)

O.D.: $\phi 15$
 $\phi 26$



G15-10-01



G27-10-R1

Standard Specifications

Model	G15	G27
Type	DT type (Back side thread)	
Indication precision	$\pm 5\%$ F.S. (Full span)	
Material	Case	Zinc die cast (Sun coat treated)
	Clear cover	Poly-carbonate
	Stud	Zinc die cast (Sun coat treated)
Applicable model	R $1/16$	—
	R(PT) $1/8$	ARM1000/2000



•Caution on handling: Error may result if drain, oil, etc. gets into gauges.

Model (Standard)

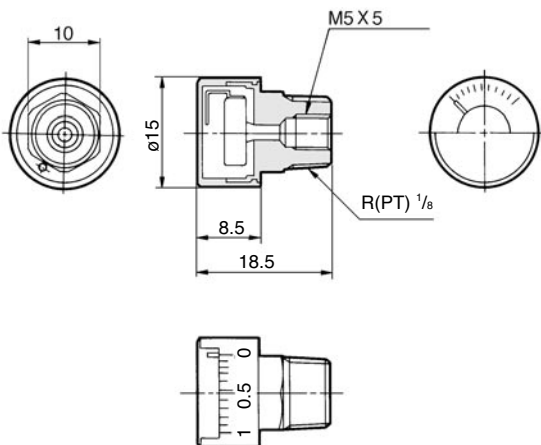
Model	Gauge range	Indication units	Connecting thread
	MPa		
G15-10-01	0 to 1.0	MPa	R(PT) $1/8$ Male, M5 Female thread
G27-10-R1	0 to 1.0	MPa	R(PT) $1/16$ Male thread

Model (Made to order)

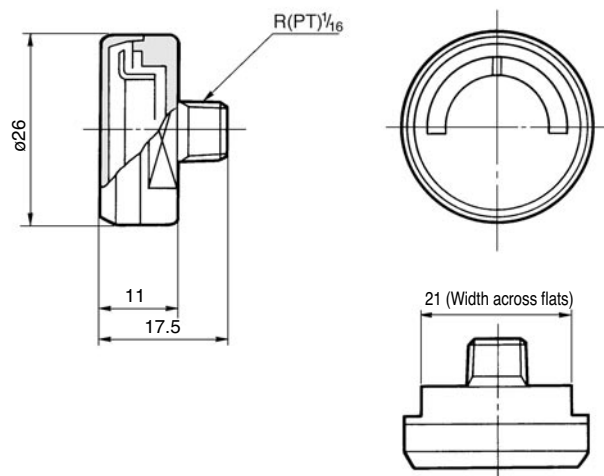
Model	Gauge range	Indication units	Connecting thread
	MPa		
G27-10-M5-X201	0 to 1.0	MPa	M5 Female thread

Dimensions

G15 (DT type)



G27 (DT type)



Pressure Gauge Guide

General Purpose Gauge/With Limit Indicator

G36 (DT type)/GA36 (AT type)

O.D.: $\phi 37$



G36-10-01

Standard Specifications

Model		G36	GA36
Type		DT type (Back side thread)	AT type (Vertical side thread)
Indication precision		$\pm 3\%$ F.S. (Full span)	
Material	Case	Aluminum Die-cast	Rolled steel (Black painted)
	Clear cover	Poly-carbonate Part no. G36-00-00-3	
	Stud	Aluminum Die-cast	Brass
Applicable model	R(PT) $1/8$	AC2000/2500/3000 AR2000/2500/3000 AW2000/3000	

Model (Standard)

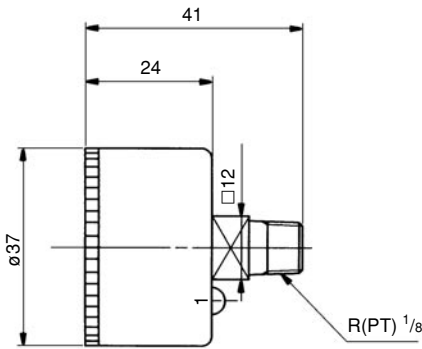
Model	Gauge range		Indication units	Connecting thread	Note
	MPa				
G36-2-01	0 to 0.2		MPa	R(PT) $1/8$	—
G36-4-01	0 to 0.4				
G36-7-01	0 to 0.7				
G36-10-01	0 to 1.0				
GA36-10-01	0 to 1.0		MPa		AT type

Model (Made to order)

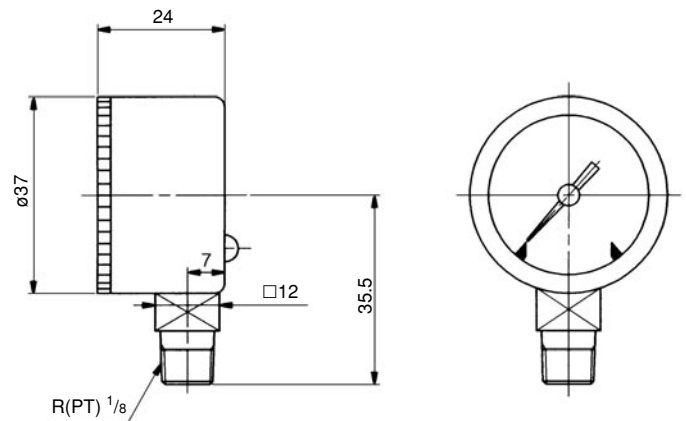
Model	Gauge range			Indication unit	Connecting thread	Note
	MPa	kgf/cm ²	psi			
G36-2-01-X7	—	0 to 2	0 to 30	kgf/cm ² psi Dual indication	R(PT) $1/8$	—
G36-4-01-X7	—	0 to 4	0 to 60			
G36-7-01-X7	—	0 to 7	0 to 100			
G36-10-01-X7	—	0 to 10	0 to 150			
GA36-10-01-X7	—	0 to 10	0 to 150			
G36-10-01-X2	0 to 1.0	—	—	MPa		(Ni) plated stem
G36-15-01	0 to 1.5	—	—	MPa		—

Dimensions

G36(DT type)



GA36(At type)



General Purpose Pressure Gauge/With Limit Indicator

G46(DT type)/GA46(AT type)

O.D.: $\phi 42$

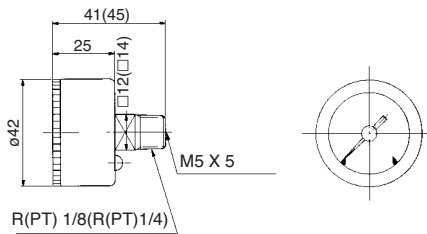


G46-10-02M-C

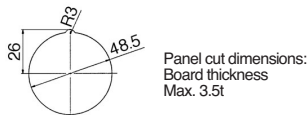
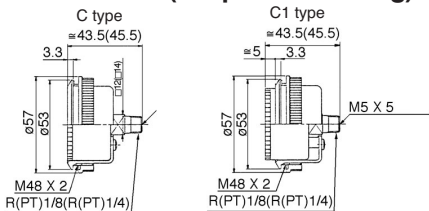
Dimensions

Dimensions in (parentheses)
 $\frac{1}{4}$: R(PT) connecting thread

G46(DT type)



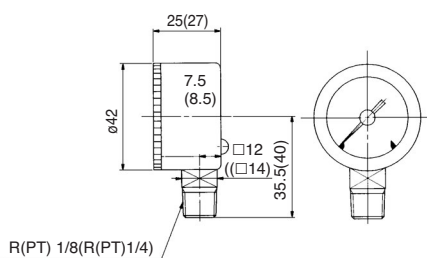
G46(DT type): With assembly (For panel mounting)



Panel cut dimensions:
 Board thickness
 Max. 3.5t

Refer to p.1.15-8 for mounting.

GA46(AT type)



Standard Specifications

Model		G46	GA46
Type		DT type (Back side thread)	AT type (Vertical side thread)
Indication precision		$\pm 3\%$ F.S. (Full span)	
Material	Case	Aluminum Die-cast	Rolled steel (Black painted)
	Clear cover	Poly-carbonate Part no.: G46-00-00-3	
	Stud	Aluminum Die-cast	Brass
Applicable model	R(PT) $\frac{1}{4}$	AC4000/5000/5500/6000 AR4000/5000/6000 AW4000	
Attachment: With cover ring ass'y		C type	Part no.: 1305104-1A
		C1 type	Part no.: 1305104-3A

Model (Standard)

Model	Pressure range	Indication units	Connecting thread	Note
	MPa			
G46-2-01, 02	0 to 0.2	MPa	R(PT) $\frac{1}{8}, \frac{1}{4}$	—
G46-4-01, 02	0 to 0.4			
G46-7-01, 02	0 to 0.7			
G46-10-01, 02	0 to 1.0			
G46-2-01 to 02M	0 to 0.2			
G46-4-01 to 02M	0 to 0.4			
G46-7-01 to 02M	0 to 0.7			
G46-10-01 to 02M	0 to 1.0	MPa	R(PT) $\frac{1}{8}, \frac{1}{4}$ With M5 female thread	—
GA46-10-01 to 02	0 to 1.0			
		MPa	R(PT) $\frac{1}{8}, \frac{1}{4}$	AT Type

Model (Made to order)

Model	Pressure range			Indication units	Connecting thread	Note
	MPa	kgf/cm ²	psi			
G46-2-01 to 02-C, C1	0 to 0.2	—	—	MPa	R(PT) $\frac{1}{8}, \frac{1}{4}$	With cover ring assembly
G46-4-01 to 02-C, C1	0 to 0.4	—	—			
G46-7-01 to 02-C, C1	0 to 0.7	—	—			
G46-10-01 to 02-C, C1	0 to 1.0	—	—			
G46-2-01 to 02M-C, C1	0 to 0.2	—	—			
G46-4-01 to 02M-C, C1	0 to 0.4	—	—			
G46-7-01 to 02M-C, C1	0 to 0.7	—	—			
G46-10-01 to 02M-C, C1	0 to 1.0	—	—	kgf/cm ² Dual psi indication	R(PT) $\frac{1}{4}$	—
G46-4-02-X7	—	0 to 4	0 to 60			
G46-10-02-X7	—	0 to 10	0 to 150	MPa	R(PT) $\frac{1}{4}$ With M5 female thread	Oil free With cover ring assembly
G46-2-02M-X4	0 to 0.2	—	—			
G46-4-02M-X4	0 to 0.4	—	—			
G46-7-02M-X4	0 to 0.7	—	—			
G46-10-02M-X4	0 to 1.0	—	—			
G46-2-02M-C, C1-X4	0 to 0.2	—	—			
G46-4-02M-C, C1-X4	0 to 0.4	—	—			
G46-7-02M-C, C1-X4	0 to 0.7	—	—	MPa	R(PT) $\frac{1}{4}$	(Ni) Plated Stem
G46-10-02M-C, C1-X4	0 to 1.0	—	—			
G46-10-02-X2	0 to 1.0	—	—			
G46-15-02	0 to 1.5	—	—	MPa	—	—

Pressure Gauge Guide

General Purpose Pressure Gauge

G43(DT type)

O.D.: $\phi 43$



G43-10-01

Standard Specifications

Model		G43
Type		DT type (Back side thread)
Indication precision		$\pm 3\%F.S.$ (Full span)
Material	Case	Stainless steel
	Clear cover	Glass
	Stud	Brass
Applicable model	R(PT) ^{1/8}	IP200, IP600, IT600, IR200
	R(PT)	—

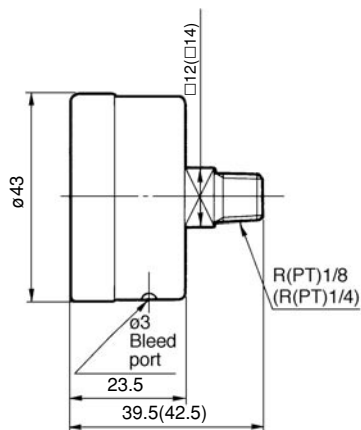
Model (Standard)

Model	Pressure range	Indication units	Connecting thread	Note
	MPa			
G43-2-01 to 02	0 to 0.2	MPa	R(PT) ^{1/8} , ^{1/4}	—
G43-4-01 to 02	0 to 0.4			
G43-6-01	0 to 0.6			
G43-10-01 to 02	0 to 1.0			

Model (Made to order)

Model	Pressure range			Indication units	Connecting thread	Note
	MPa	kgf/cm ²	psi			
G43-2-01 to 02-X7	—	0 to 2	0 to 30	kgf/cm ² Dual psi indication	R(PT) ^{1/8} , ^{1/4}	—
G43-4-01 to 02-X7	—	0 to 4	0 to 60			
G43-6-01-X7	—	0 to 6	0 to 90			
G43-10-01 to 02-X7	—	0 to 10	0 to 150			
G43-7-02	0 to 0.7	—	—	MPa	R(PT) ^{1/4}	—

Dimensions



The dimensions in: Connecting thread R(PT) ^{1/4}

Oil Free/External Parts Copper Free Pressure Gauge

G46E (DT type)

O.D.: $\varnothing 42$



G46E-10-02M

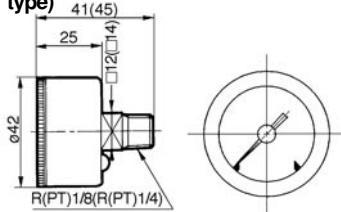


G46E-10-02M-C

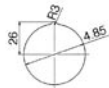
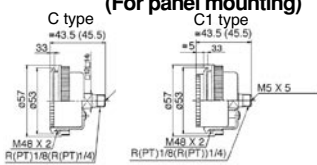
Dimensions in: R(PT)
1/4 connecting thread

Dimensions

G46E (DT type)



G46E (DT type): With cover ring ass'y
(For panel mounting)



Panel cut dimensions:
Board thickness Max. 3.5t

Standard Specifications

Model	G46E	
Type	DT type (Back side thread)	
Indication precision	$\pm 3\%$ F.S. (Full span)	
Treatment	Oil free (Degreased)	
Material	Case	Rolled steel (Black melamine plated)
	Clear cover	Poly-carbonate (Hard coated) Part no.: G46-00-00-2
	Stud	Brass (Electroless nickel plated)
Attachment: With cover ring ass'y	C type	Part no.: 1305104-1A
	C1 type	Part no.: 1305104-3A

Model (Standard)

Model	Pressure range	Indication units	Connecting thread	Note
	MPa			
G46E-2-02M	0 to 0.2	MPa	R(PT) ¹ / ₄ With M5 Female thread	—
G46E-4-02M	0 to 0.4			
G46E-7-02M	0 to 0.7			
G46E-10-02M	0 to 1.0			

Model (Made to Order)

Model	Pressure range	Indication units	Connecting thread	Note
	MPa			
G46E-2-02M-C/C1	0 to 0.2	MPa	R(PT) ¹ / ₄ W/ M5 Female thread	With cover ring assembly
G46E-4-02M-C/C1	0 to 0.4			
G46E-7-02M-C/C1	0 to 0.7			
G46E-10-02M-C/C1	0 to 1.0			

Gauge for Clean Regulator/With Limit Indicator

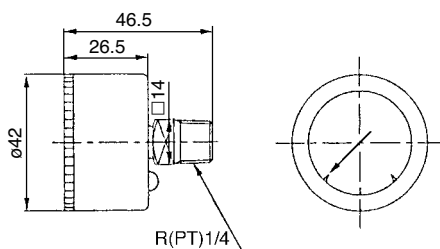
G46-□-□-SR

O.D.: $\varnothing 42$



G46-10-02-SR

Dimensions



Standard Specifications

Model	G46-□-02-SRA	G46-□-02-SRB
Type	DT type (Back side thread)	
Precision	$\pm 3\%$ F.S.	
Fluid contact part cleaning	Precise cleansing	General degreasing
Assembly/Adjustment environments	Clean room	General production line
Oil/Water free	Oil/Water free	
Material	Fluid contact part	Stainless steel 316
	Case	Stainless steel 304 (Black melamine plated)
	Clear cover	Poly-carbonate (Hard coated) Part no.: G46-00-00-2
	Inner equipment	Brass

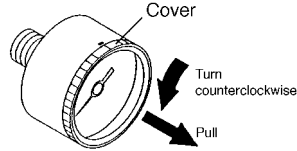
Model (Standard)

Model	Pressure range	Indication units	Connecting thread	Note
	MPa			
G46-2-02-SRA	0 to 0.2	MPa	R(PT) ¹ / ₄	—
G46-2-02-SRB				
G46-4-02-SRA	0 to 0.4			
G46-4-02-SRB				
G46-7-02-SRA	0 to 0.7			
G46-7-02-SRB				
G46-10-02-SRA	0 to 1.0			
G46-10-02-SRB				

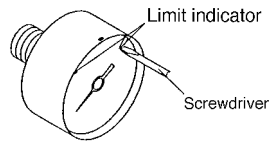
Pressure Gauge Guide

Procedure for setting the limit gauge indicator

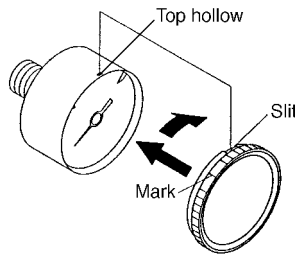
- (1) Before setting the (green) limit indicator, turn the cover counterclockwise (approximately 6 to 7mm) until it stops. Then, remove by pulling it towards you.



- (2) Use a flat head screwdriver (with a 2.9mm blade width) to set the (green) limit indicator. Be careful not to bend the other needle or damage the dial plate.



- (3) After completing the setting, replace the cover. Fit the cover by aligning the cutout in the cover to the groove on the top of the black case. Turn the cover clockwise (approximately 6 to 7mm) and make sure that the matching mark on the cover is aligned with the groove on the top of the case.



⚠️ Precautions

Be sure to read before handling. Refer to p.0-26 and 0-27 for Safety Instruction and common precautions on the products mentioned in this catalogue.

Selection

⚠️ Caution

- ① Do not apply high load voltage (current) or surge current as this can cause the switch to malfunction.
- ② Make sure that no direct impact or vibrations are applied to the body.
- ③ If operating under pressure pulsations or in high frequency operations, contact SMC.

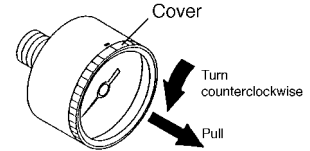
Installation

⚠️ Caution

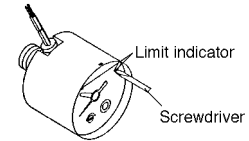
- ① During transport and installation, do not apply shock to the product, such as by dropping doing so will affect its precision.
- ② In terms of its installation posture, place it perpendicular to the ground, with the zero point on the dial of the pressure gauge facing down.
- ③ Do not install it in an area that is exposed to high temperature or humidity, because doing so will lead to improper operation.
- ④ To screw in the pressure gauge, make sure to turn the gauge by placing a wrench over the square wrench flats. If the pressure gauge is screwed in by holding it on some other area, it could lead to air leakage or damage.

Procedure for setting the limit gauge indicator and the setting needle

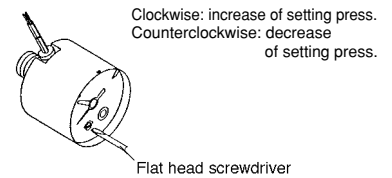
- (1) Before setting the limit indicator and the (green) setting needle, turn the cover counterclockwise (approximately 6 to 7mm) until it stops. Then, remove by pulling it towards you.



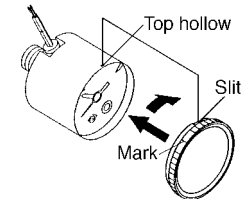
- (2) Use a flat head screwdriver (with a 2.9mm blade width) to set the (green) limit indicator. Be careful not to bend the other needle or damage the dial plate.



- (3) Before setting the setting needle, use a flat head screwdriver (with a 2.9mm blade width) to turn the setting screw and set the setting needle to the set pressure.

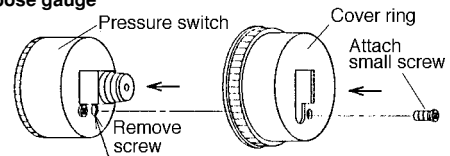


- (4) After completing the setting, replace the cover. Fit the cover by aligning the cutout in the cover to the groove on the top of the black case. Turn the cover clockwise (approximately 6 to 7mm) until it stops. Make sure that the matching mark on the cover is aligned with the groove on the top of the case.

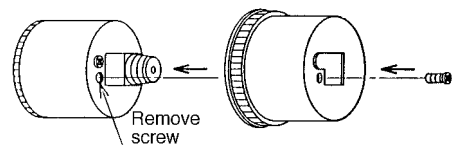


Procedure for assembling the cover ring assembly

• General purpose gauge



• Gauge with pressure switch



1. Remove the small screw (1 position) from the pressure gauge.
2. Place the cover ring on the pressure gauge.
3. Using the small screw that is provided with the cover ring, install the over ring. The installation torque is 0.3 to 0.5N.m.